

# QUARTZ 60 CELL

SQZA260P-60, SQZA265P-60,  
SQZA270P-60, SQZA275P-60  
SQZA280P-60

## Well-rounded design with versatile and excellent performance

- 1500 VDC system voltage

## Design promotes efficiency & savings

- Low first-year power degradation.
- PID resistant.
- Convert more sunlight into electricity over a given area to provide more savings over time.

## Highly reliable quality

- Comprehensive in-house tests.
- 100% EL inspection ensuring defects-free module.
- Manufactured with cutting edge technology to increase product output consistency.

## Certified to withstand the most challenging environmental conditions

- 2400 Pa negative load, 5400 Pa positive load
- Salt Mist and Ammonia Corrosion Resistant



**POLY**

**60 CELL**  
POLYCRYSTALLINE MODULE

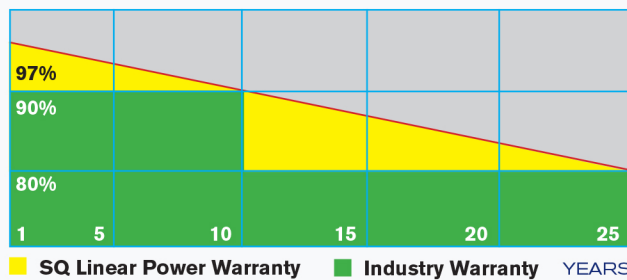
**17.1%**  
MAXIMUM EFFICIENCY

**260-280 W**  
POWER OUTPUT RANGE

**±5 W**  
POWER TOLERANCE

## LINEAR POWER WARRANTY

- 10-year Product Warranty
- 25-year Linear Power Output Warranty



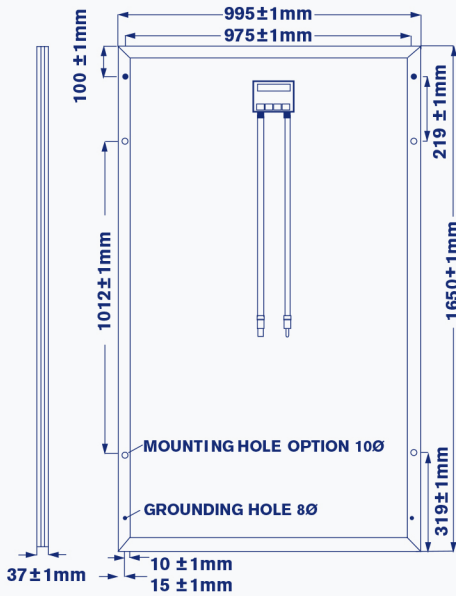
## COMPREHENSIVE PRODUCTS & SYSTEM CERTIFICATES

ISO 9001:2015 / Quality Management System  
ISO 14001:2015 / Environmental Management System  
OHSAS 18001:2007 / Occupational Health & Safety Management System

IEC 61215:2016 / IEC 61730:2016 Indonesian National Standard (SNI) Local Content Level (TKDN)



SOLAR QUEST, established in 2019, is a trademark by PT. Deltamas Solusindo. The company is devoted to be a total solution provider for energy efficiency and solar-powered clean energy generation. SOLAR QUEST is the national PV module from Indonesia with superior quality; providing reliability and profitability the customers rely on. With focus on solar-powered Renewable Energy expansion, the company encourages communities into the era of clean energy; in the same time collaborating with distributors, installers, developers, and other partners to distribute its solution to residential, commercial and utility base customers locally and internationally.



## MECHANICAL DATA

<b>Module Dimensions</b>	1650 x 995 x 37 mm
<b>Weight</b>	15.5 kg
<b>Solar Cells</b>	Polycrystalline 156.75 x 156.75 mm
<b>Cell Arrangement</b>	3 Strings of 20 Cells
<b>Glass</b>	3.2 mm Thick Anti-Reflection Solar Glass
<b>Backsheet</b>	Highly Resistant Polyester
<b>Frame</b>	Clear Anodic Coated Aluminium
<b>J-Box</b>	IP68
<b>Cables</b>	1 x 4.0 mm <sup>2</sup> Solar Cable
<b>Connectors</b>	ST4 or Factory-Installed Compatible

ELECTRICAL DATA at STC*	UNIT	SQZA260P-60	SQZA265P-60	SQZA270P-60	SQZA275P-60	SQZA280P-60
Nominal Power - P <sub>MAX</sub>	W <sub>p</sub>	260	265	270	275	280
Power Tolerance	W	±5	±5	±5	±5	±5
Nominal Power Voltage - V <sub>MPP</sub>	V	31.2	31.8	32.4	33.0	33.6
Nominal Power Current - I <sub>MPP</sub>	A	8.50	8.50	8.50	8.50	8.50
Open Circuit Voltage - V <sub>oc</sub>	V	38.40	38.40	38.40	38.40	38.40
Open Circuit Voltage - I <sub>sc</sub>	A	8.98	8.98	8.98	8.98	8.98
Module Efficiency	%	15.84	16.14	16.45	16.75	17.05

\*STC : Standard Test Conditions (Light Spectrum AM 1.5, Irradiance 1000 W/m<sup>2</sup>, Temperature 25 °C)

ELECTRICAL DATA at NMOT**	UNIT	SQZA260P-60	SQZA265P-60	SQZA270P-60	SQZA275P-60	SQZA280P-60
Nominal Power - P <sub>MAX</sub>	W <sub>p</sub>	208	212	216	220	224
Power Tolerance	W	±5	±5	±5	±5	±5
Nominal Power Voltage - V <sub>MPP</sub>	V	30.4	31.0	31.6	32.2	32.7
Nominal Power Current - I <sub>MPP</sub>	A	6.84	6.84	6.84	6.84	6.84
Open Circuit Voltage - V <sub>oc</sub>	V	35.3	35.3	35.3	35.3	35.3
Open Circuit Voltage - I <sub>sc</sub>	A	7.26	7.26	7.26	7.26	7.26
NMOT	°C	43 ± 2	43 ± 2	43 ± 2	43 ± 2	43 ± 2

\*\*NMOT : Nominal Module Operation Temperature (Light Spectrum AM 1.5, Irradiance 800 W/m<sup>2</sup>, Temperature 20 °C)

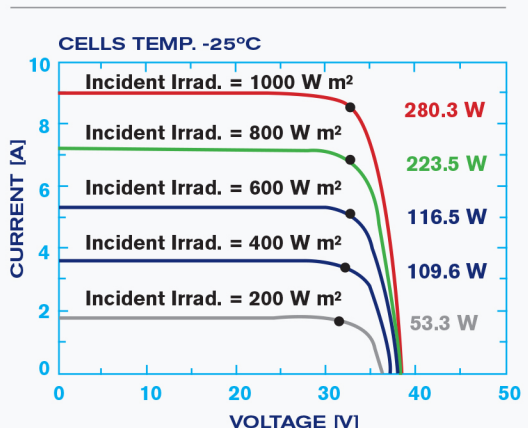
## TEMPERATURE RATINGS

Temperature Coefficient of P <sub>MAX</sub>	-0.40% / °C
Temperature Coefficient of V <sub>oc</sub>	-0.33% / °C
Temperature Coefficient of I <sub>sc</sub>	0.06% / °C

## MAXIMUM RATINGS

Operational Temperature	-40 ~ +85 °C
Maximum System Voltage (IEC)	1500 VDC
Max Series Fuse Rating	20 A

## I-V CURVE AT STANDARD TEST CONDITION



## WARRANTY

10-year Product Warranty      25-year Linear Power Output Warranty

\*Data sheets are subject to change without notice.